

Quick Installation Guide

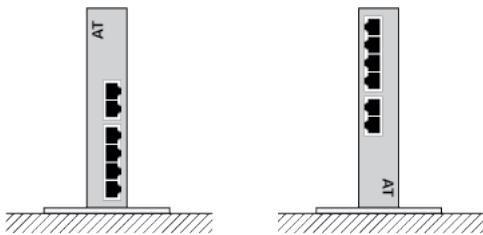
STND-J03 Stand Kit

Introduction

This document contains instructions to install a device upright on a flat surface using the STND-J03 Stand Kit.

Guidelines for Using the STND-J03 Stand Kit

- ❑ The installation surface should be level and secured.
- ❑ If you plan to install a device against or by a wall, make sure that the wall is straight and secured.
- ❑ A device can be installed upright by itself.



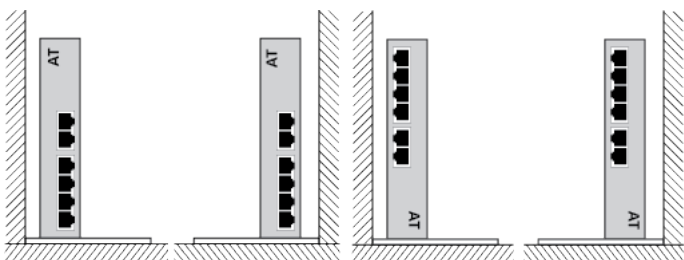
- ❑ A device can be installed upright against a wall.



Note

When installing a device upright against a wall, you must place the bottom of the device to the wall.

- ❑ A device can be installed by a wall with space between the device and wall.



STND-J03 Stand Kit Package Contents

The STND-J03 Stand Kit includes:

Two Stand Brackets	
Four Rubber Feet	
Four Screws (M4 x 6 mm)	
One Hook-and-Loop Fastener	

What to Prepare for Installation

- ❑ STND-J03 Stand Kit
- ❑ One device to install upright
- ❑ Phillips-head screwdriver

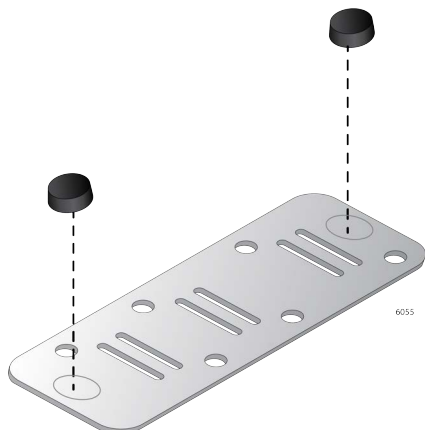
Determining Which Screw Holes to Use

Determining which screw holes to use to install your device depends upon an installation orientation. The holes are marked with A, B or C.

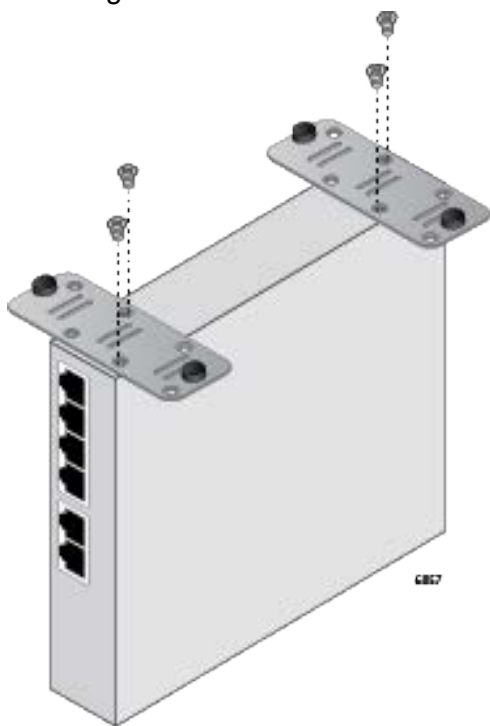
By itself	
Against a wall	
By a wall	

Attaching the STND-J03 Bracket to a Device

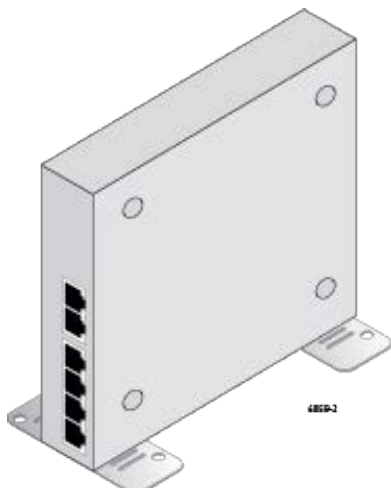
1. Review safety precautions for the device you are installing.
2. Attach the two rubber feet to each stand bracket.



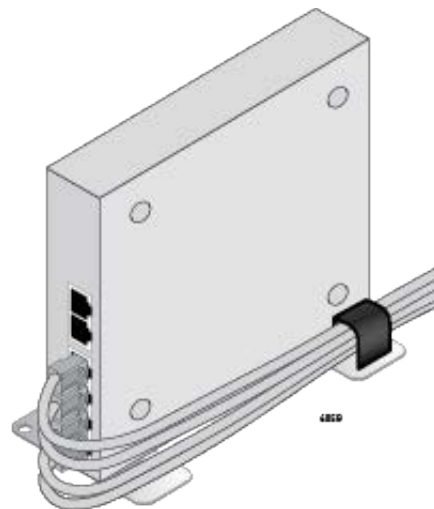
3. Orient the stand brackets at the bottom of the device and tighten the screws.



4. Turn the device and place the brackets on the flat surface.



5. Connect necessary cables to the ports of the device.
6. Secure the cables using the hook-and-loop fastener.



Physical Specifications

Item	Dimensions (W x D x H)	Weight
Stand Bracket	120 mm x 45 mm x 2 mm (4.7 in. x 1.8 in. x 0.1 in.)	75 g (0.17 lbs)
Hook & loop Fastener	19 mm (W) x 152 mm (L) (0.7 in. x 6 in.)	N/A

Copyright © 2022 Allied Telesis, Inc.

All rights reserved.

No part of this publication may be reproduced without prior written permission from Allied Telesis, Inc.

Allied Telesis and the Allied Telesis logo are trademarks of Allied Telesis, Incorporated. All other product names, company names, logos or other designations mentioned herein are trademarks or registered trademarks of their respective owners.

Allied Telesis, Inc. reserves the right to make changes in specifications and other information contained in this document without prior written notice. The information provided herein is subject to change without notice. In no event shall Allied Telesis, Inc. be liable for any incidental, special, indirect, or consequential damages whatsoever, including but not limited to lost profits, arising out of or related to this manual or the information contained herein, even if Allied Telesis, Inc. has been advised of, known, or should have known, the possibility of such damages.

