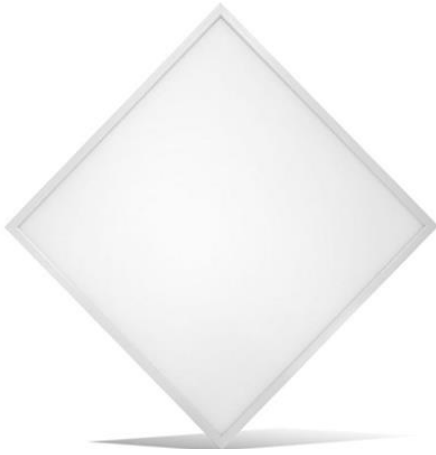


SERENITY 2HO – PERFORMANCE LED PANELS



Mechanical:

Ingress Protection: IP44 from the front (diffuser-side)
IP20 from the rear (driver-side)

Impact Protection: IK07

Construction: White-painted, Alu frame

Mounting: Recessed, surface-mounted, or suspended. Spring clip accessories are available for plasterboard ceilings

Working Temperature: 0°C to +40°C

Working Humidity: 20%-90%

Electrical:

Input Voltage: Non-dimmable 220-240VAC (50-60Hz), 1-10V
Dimmable 100-240VAC (50-60Hz)

Power Factor: >0.9

Class: II

Driver: Lifud external (dimmable 1-10V, & DALI available on request)

Photometric:

CCT: 4000K as standard (3000K, 5000K available on request)

Beam Angle: 113°

GLARE: UGR≤19

CRI: 80

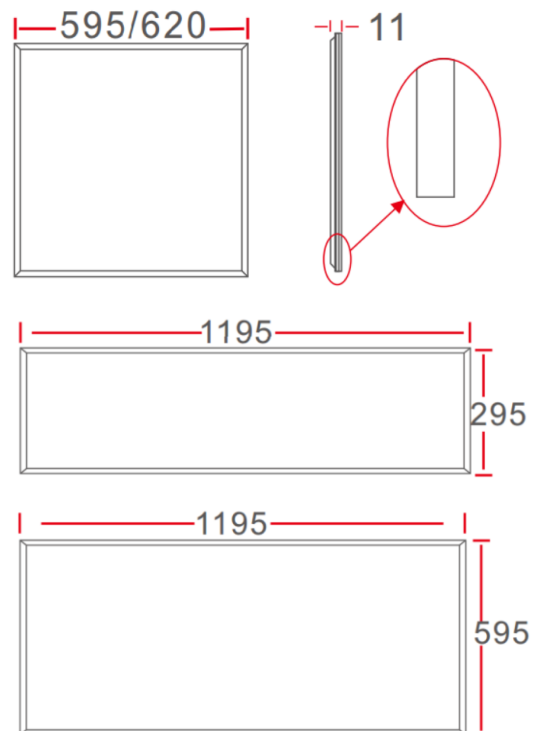
LED Light Source: Epistar

Lumen Maintenance: L70B10 >63,000hrs

FEATURES & BENEFITS

- High quality & strengthened construction
- Improved efficacy

Dimensions:



Certifications:



CODE*	POWER	CCT	LUMINOUS FLUX	BEAM ANGLE	DIMENSIONS
VER-X2P6060-30HO-840	30W	4000K	3,470 lm	113°	595x595x11 mm
VER-X2P30120-50HO-840	50W	4000K	5,775 lm	113°	295x1195x10 mm
VER-X2P60120-70HO-840	70W	4000K	8,085 lm	113°	595x1195x10 mm

* Where "X" denotes the driver type: "E" for non-dimmable, "DIM" for 1-10V dimmable, and "DALI" for DALI dimmable

** Specifications subject to change without notice