

# DEFINING RUGGED

EXCEPTIONAL ENGINEERING | ROCK SOLID | EXTENSIVE TESTING



## FORKLIFT MOUNT: DUAL CLAM SHELL WITH 3" ARM AND LARGE PLATE

Placement	Tilt	Swivel	Weight	Height	Width	Depth
Attaches to rectangular forklift support braces 2.5" to 5.0" wide	<b>Yes</b> - Clevis up to 90° fore <b>Yes</b> - Clam Shell up to 160°	Motion Attachment - 360° Entire arm - 360°	9.79 lbs.	10.08"	6.63"	10.14"

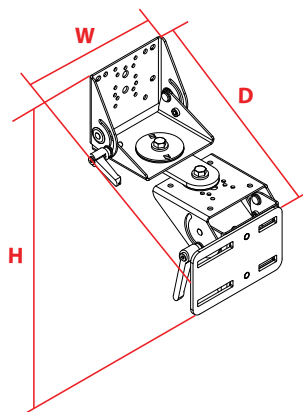
### Clam Shell Features:

- Heavy gauge steel construction for long-term durability in a rugged environment
- Black powdercoat finish for maximum corrosion resistance
- *Clam Shell* features the following hole patterns: AMPS, NEC, 75mm VESA, Gamber-Johnson 2"x 4.09"
- The entire arm can rotate around 360° and the Motion Attachment can also rotate 360°
- Arm extends 3" bringing equipment closer to the user
- Arm can be tighten down to be locked into a permanent position
- Tilt capabilities:
  - 90° forward allows for tablets to be easily mounted
  - 26° aft movement with a positive stop at 26°
  - Riveted design allows for smoother tilt movement
- To tilt the *Clam Shell* simply loosen the adjustable lever, tilt to desired position and then re-tighten the lever
- A secondary bolt is included to lock the clevis into a permanent position
- Limited Lifetime Warranty

### Large Plate Features:

- Heavy gauge steel construction for long-term durability in a rugged environment
- Black powdercoat finish for maximum corrosion resistance
- *Clam Shell* features the following hole patterns: AMPS, NEC and VESA 75mm
- The *Clam Shell* can be tilted up or down for a total of 160°
- To tilt the *Clam Shell* simply loosen the adjustable lever, tilt to desired position and then re-tighten the lever
- A secondary bolt is included to lock the clam shell into a permanent position
- Plate sandwiches the overhead guard leg and allows user to position the device at the desired height position
- Limited Lifetime Warranty

Item No. **7160-0421**



Very Well Connected™

3001 Borham Ave. | Stevens Point, WI 54481, USA  
 Phone: 715.344.3482 | Toll-free: 800.487.9220 | Fax: 715.344.5209  
 Email: [gamberj@gamberjohnson.com](mailto:gamberj@gamberjohnson.com) | Website: [www.gamberjohnson.com](http://www.gamberjohnson.com)

Follow us on:



This document, including images, may not be reproduced partly or fully without the expressed written consent of Gamber-Johnson's Marketing Department.  
 © Copyright 2016 Gamber-Johnson LLC