



# SILENT LOOP

SUPERIOR COOLING AND SILENCE

**280mm • 240mm • 120mm**

premium

## IDEAL APPLICATIONS

- Demanding PC systems
- Overclocked CPUs
- High-resolution gaming and multimedia PCs
- Superior quiet HTPCs

## HIGHLIGHTS

- Innovative reverse-flow pump
- Two be quiet! Pure Wings 2 PWM fans
- Flexible tubes with useful bend protection
- Compatible with Intel® and AMD™ sockets

### Superior Cooling and Silence

Silent Loop brings the famous be quiet! whisper-silent technology to the world of All-in-One water cooling. Designed to make installation simple, Silent Loop includes everything needed in one package.

#### Highlights »

- Innovative decoupled reverse-flow pump runs smoother, quieter and with less vibration than conventional pumps
- Full copper radiator for an impressive cooling performance
- Two Pure Wings 2 PWM fans provide quiet operation with high air pressure
- Customized fan speed thanks to PWM function
- Easy handling due to flexible bend-protection tubes and convenient mounting
- Full copper parts and a refill port extend the product's life span
- Nickel-plated cold plate allows optimum use of heat-conducting metallic paste
- Compatible with Intel® and AMD™ sockets
- 3-year manufacturer's warranty
- Product conception, design and quality control in Germany

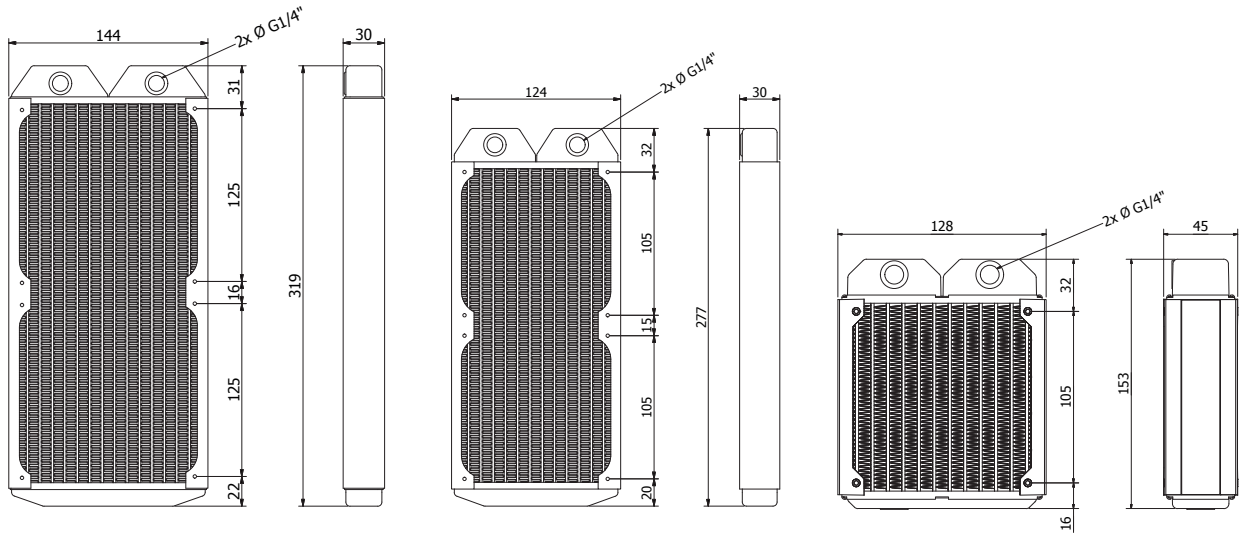
#### Silent Loop »

No compromise is required when choosing to water-cool demanding systems and overclocked CPUs.

# SILENT LOOP

SUPERIOR COOLING AND SILENCE

Dimensions »

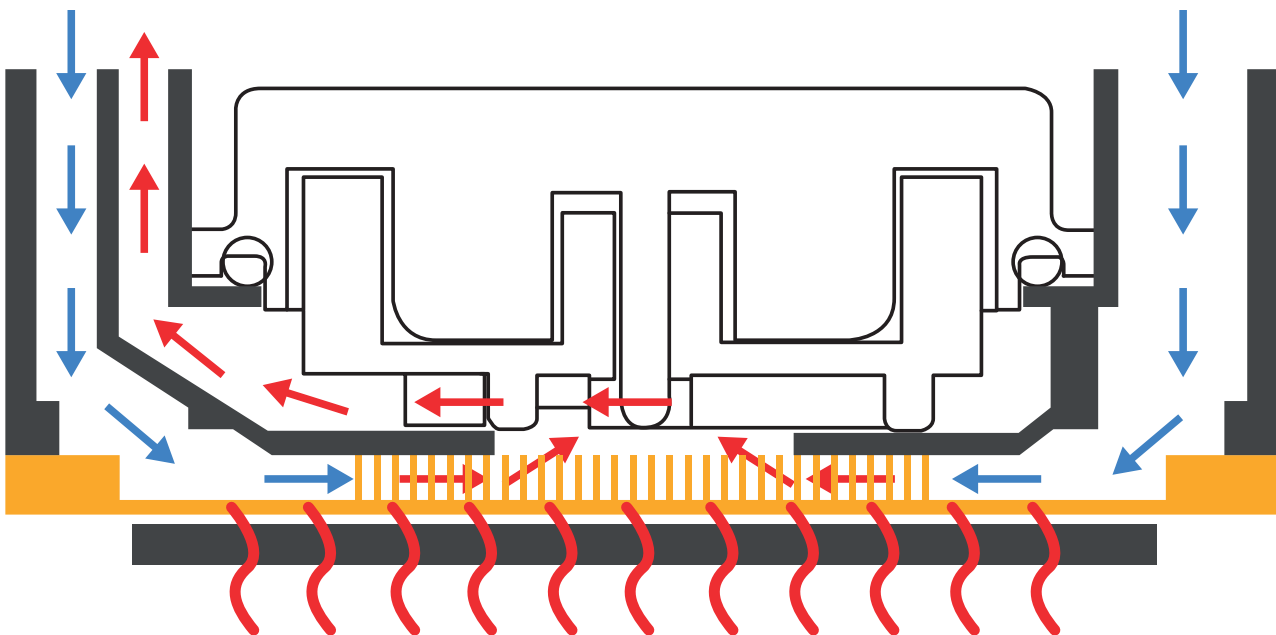


be quiet! Silent Loop | 280mm

be quiet! Silent Loop | 240mm

be quiet! Silent Loop | 120mm

Reverse-flow pump »



The decoupled reverse-flow pump runs smoother and with less vibration than conventional pumps. Thanks to the innovative technique "reverse-flow" the pump draws in the liquid coolant from an outer cavity of the pump housing across the base plate and discharges the warmed liquid coolant through a second level inside. This is the key to guarantee the well-known silent be quiet! operation.

# SILENT LOOP

SUPERIOR COOLING AND SILENCE

Technical Data >>				
IN GENERAL	Model	280mm	240mm	120mm
	Article no.	BW003	BW002	BW001
	EAN code	4260052185285	4260052185278	4260052185261
	Dimensions radiator, incl. fan (H x W x D), (mm)	319 x 144 x 55	277 x 124 x 55	153 x 128 x 95
	Total weight (g)	1,574	1,349	1,287
	Socket compatibility	Intel®: LGA 775 / 1150 / 1151 / 1155 / 1156 / 1366 / 2011(-3) Square ILM AMD™: AM2(+)/ AM3(+)/ AM4 / FM1 / FM2(+)	Intel®: LGA 775 / 1150 / 1151 / 1155 / 1156 / 1366 / 2011(-3) Square ILM AMD™: AM2(+)/ AM3(+)/ AM4 / FM1 / FM2(+)	Intel®: LGA 775 / 1150 / 1151 / 1155 / 1156 / 1366 / 2011(-3) Square ILM AMD™: AM2(+)/ AM3(+)/ AM4 / FM1 / FM2(+)
	Maximum power capacity (W TDP)	400	350	270
	Pump type	reverse-flow pump	reverse-flow pump	reverse-flow pump
	Pump speed (rpm)	2,200	2,200	2,200
	Pump connector	3-pin	3-pin	3-pin
	Bend-protection tubes	✓	✓	✓
Refill port	✓	✓	✓	
RADIATOR SPECIFICATION	Dimensions (H x W x D), (mm)	319 x 144 x 30	277 x 124 x 30	153 x 128 x 45
	Radiator material / finish	copper / black spray painted	copper / black spray painted	copper / black spray painted
	Base material / finish	copper / dark nickel plated	copper / dark nickel plated	copper / dark nickel plated
be quiet! PURE WINGS 2 PWM FANS	Fan dimensions (mm) / Quantity (pcs.)	140 x 140 x 25 / 2	120 x 120 x 25 / 2	120 x 120 x 25 / 2
	Noise level (dB(A)) @ 25 % / 50% / 100% rpm	16.1 / 24.1 / 37.3	16.1 / 23.8 / 36.9	16.1 / 23.8 / 36.9
	Speed @ 100% PWM (rpm)	1,600	2,000	2,000
	Airflow @ 12V (cfm / m3/h)	94.2 / 160	65.51 / 111.3	65.51 / 111.3
	Air pressure @ 12V (mm / H2O)	1.82	2.23	2.23
	Bearing type	Rifle	Rifle	Rifle
	Motor technology	4-pole fan motor	4-pole fan motor	4-pole fan motor
	Input current (A)	0.3	0.3	0.3
	Connector	4-pin PWM	4-pin PWM	4-pin PWM
	Lifespan (h / 25°C)	80,000	80,000	80,000

## Certifications >>



## Contact >>

Service Hotline: +49 40 7367 686 44 (Mo-Fr. 9:00-17:30)  
Mail: [service@bequiet.com](mailto:service@bequiet.com)